



water, sewage and sludge technology
pumps for life ...

An ISO 9001:2008 certified company by 

DEEP BLUE SERIES Sewage and Trash Pumps

Exploded View & Parts List



DB50-160

DB80-223

DB100-248

DB150-315



DB250-375

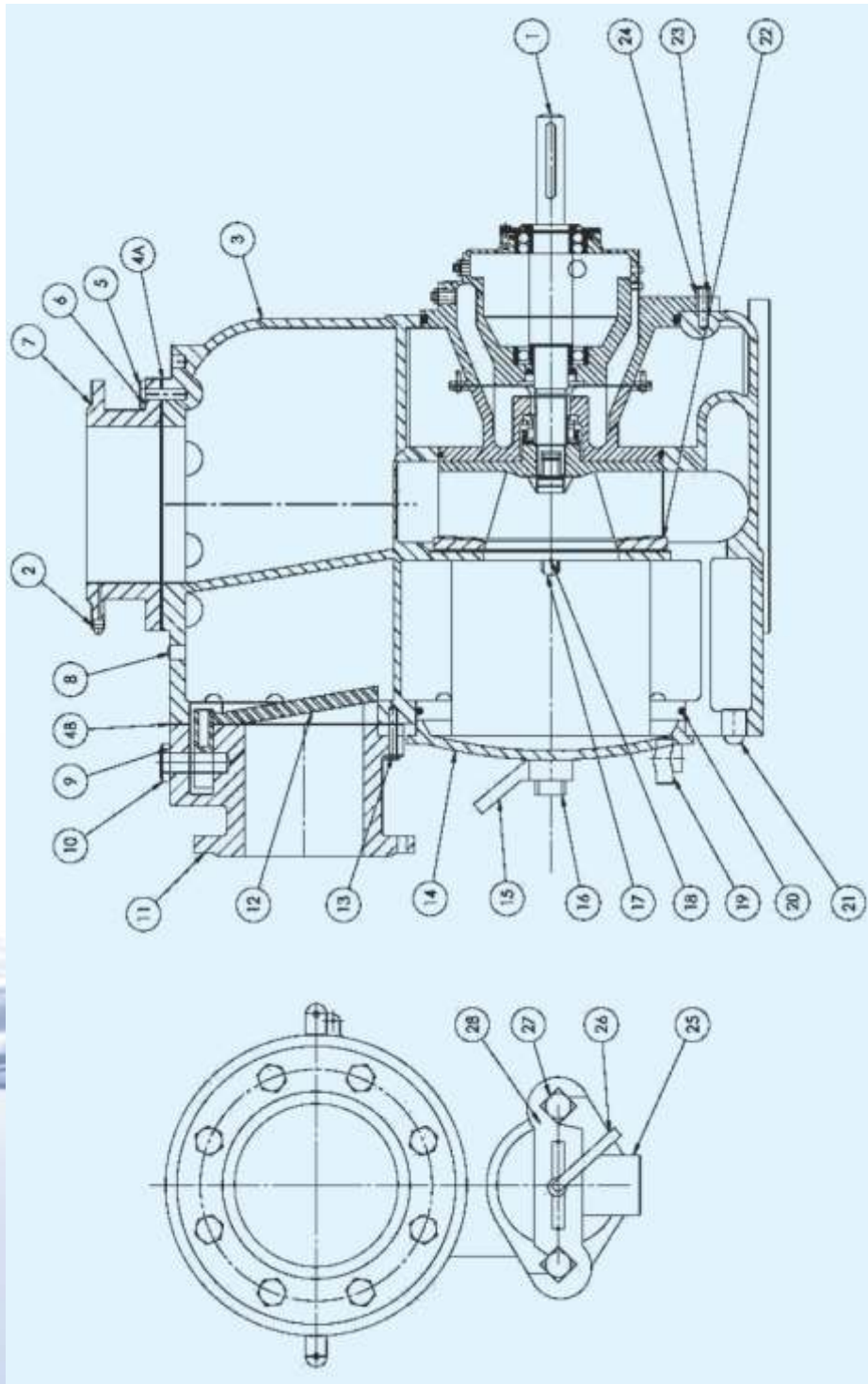
DB300-457

INDRA HYDRO TECH PUMPS PVT. LTD.

316, 1st Floor, 8th Cross, 4th Phase, Peenya Industrial Area, Bengaluru - 560 058, Karnataka, India
Tel.: +91 80 2836 2916, Fax: +91 80 2836 3048, Email: contact@ihpindia.in, www.ihpindia.in

DEEP BLUE SERIES

Exploded View



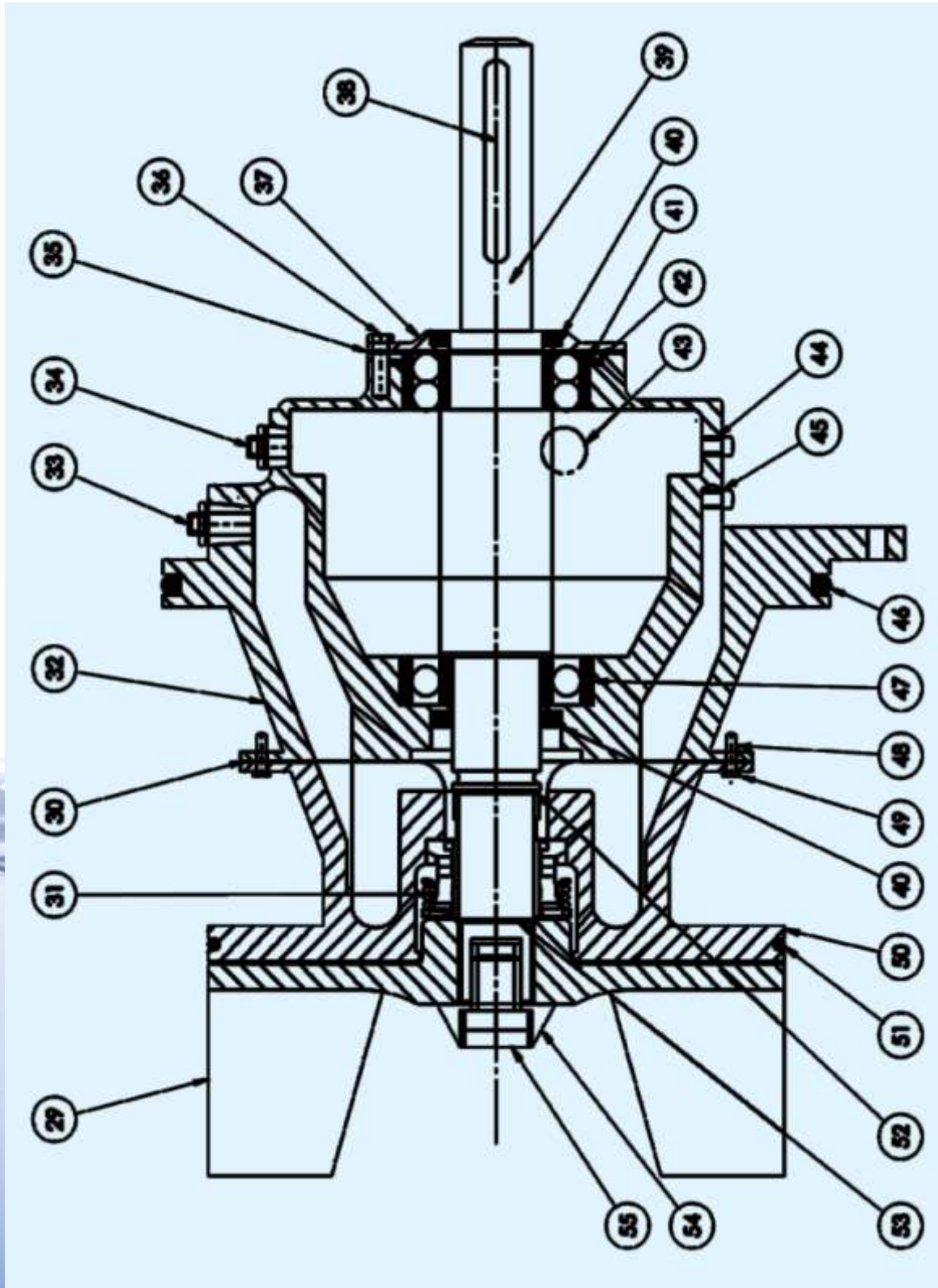
* We reserve the right to amend specification without prior notice.

INDRA HYDRO TECH PUMPS PVT. LTD.

316, 1st Floor, 8th Cross, 4th Phase, Peenya Industrial Area, Bengaluru - 560 058, Karnataka, India
Tel.: +91 80 2836 2916, Fax: +91 80 2836 3048, Email: contact@ihpindia.in, www.ihpindia.in

DEEP BLUE SERIES

Exploded View - Rotary Part



DEEP BLUE SERIES

Part List



Item	Material	DB50-160	DB80-223	DB100-248	DB150-315	DB200-375	DB250-375
1	Rotor assembly	DB50-160-21	DB80-223-21	DB100-248-21	DB150-315-21	DB200-375-21	DB250-375-21
2	Discharge flange plug	Steel	DB50-160-22	DB80-223-22	DB100-248-22	DB150-315-22	DB200-375-22
3	Casing	Cast iron	DB50-160-1	DB80-223-1	DB100-248-1	DB150-315-1	DB200-375-1
4A	Discharge flange gasket	Rubber	DB50-160-23	DB80-223-23	DB100-248-23	DB150-315-23	DB200-375-23
4B	Suction flange gasket	Rubber	DB50-160-24	DB80-223-24	DB100-248-24	DB150-315-24	DB200-375-24
5	Bolt	Steel	DB50-160-25	DB80-223-25	DB100-248-25	DB150-315-25	DB200-375-25
6	Washer		DB50-160-26	DB80-223-26	DB100-248-26	DB150-315-26	DB200-375-26
7	Discharge outlet	Cast iron	DB50-160-13	DB80-223-13	DB100-248-13	DB150-315-13	DB200-375-13
8	Casing plug	Steel	DB50-160-27	DB80-223-27	DB100-248-27	DB150-315-27	DB200-375-27
9	Washer	Steel	DB50-160-28	DB80-223-28	DB100-248-28	DB150-315-28	DB200-375-28
10	Check valve dowel	Steel	DB50-160-29	DB80-223-29	DB100-248-29	DB150-315-29	DB200-375-29
11	Suction inlet	Cast iron	DB50-160-15	DB80-223-15	DB100-248-15	DB150-315-15	DB200-375-15
12	Check valve	Rubber	DB50-160-14	DB80-223-14	DB100-248-14	DB150-315-14	DB200-375-14
13	Bolt	Steel	DB50-160-30	DB80-223-30	DB100-248-30	DB150-315-30	DB200-375-30
14	Removable cover plate	Cast iron	DB50-160-16	DB80-223-16	DB100-248-16	DB150-315-16	DB200-375-16
15	Wing nut	Steel	DB50-160-31	DB80-223-31	DB100-248-31	DB150-315-31	DB200-375-31
16	Stud	Steel	DB50-160-32	DB80-223-32	DB100-248-32	DB150-315-32	DB200-375-32
17	Nut for holding wear plate	Steel	DB50-160-33	DB80-223-33	DB100-248-33	DB150-315-33	DB200-375-33
18	Washer	Steel	DB50-160-34	DB80-223-34	DB100-248-34	DB150-315-34	DB200-375-34
19	Pressure relief valve	Cast iron	DB50-160-17	DB80-223-17	DB100-248-17	DB150-315-17	DB200-375-17
20	O'ring	Nitrile rubber	DB50-160-35	DB80-223-35	DB100-248-35	DB150-315-35	DB200-375-35
21	Drain plug	Maleable iron	DB50-160-36	DB80-223-36	DB100-248-36	DB150-315-36	DB200-375-36
22	Wear plate	Ductile iron	DB50-160-2	DB80-223-2	DB100-248-2	DB150-315-2	DB200-375-2
		Bronze	DB50-160-3	DB80-223-3	DB100-248-3	DB150-315-3	DB200-375-3
		304 Stainless steel	DB50-160-4	DB80-223-4	DB100-248-4	DB150-315-4	DB200-375-4
		316 Stainless Steel	DB50-160-5	DB80-223-5	DB100-248-5	DB150-315-5	DB200-375-5
23	Bolt	Steel	DB50-160-37	DB80-223-37	DB100-248-37	DB150-315-37	DB200-375-37
24	Washer	Steel	DB50-160-38	DB80-223-38	DB100-248-38	DB150-315-38	DB200-375-38
25	Priming cover	Cast iron	DB50-160-39	DB80-223-39	DB100-248-39	DB150-315-39	DB200-375-39
26	Priming cover handle	Steel	DB50-160-40	DB80-223-40	DB100-248-40	DB150-315-40	DB200-375-40
27	Bolt	Steel	DB50-160-41	DB80-223-41	DB100-248-41	DB150-315-41	DB200-375-41
28	Cover bracket	Steel	DB50-160-42	DB80-223-42	DB100-248-42	DB150-315-42	DB200-375-42
29	Balanced Impeller	Ductile iron	DB50-160-6	DB80-223-6	DB100-248-6	DB150-315-6	DB200-375-6
		Bronze	DB50-160-7	DB80-223-7	DB100-248-7	DB150-315-7	DB200-375-7
		304 Stainless steel	DB50-160-8	DB80-223-8	DB100-248-8	DB150-315-8	DB200-375-8
		316 Stainless Steel	DB50-160-9	DB80-223-9	DB100-248-9	DB150-315-9	DB200-375-9
30	Seal gasket		DB50-160-43	DB80-223-43	DB100-248-43	DB150-315-43	DB200-375-43
31	Mechanical seal	Tungsten carbide	DB50-160-20	DB80-223-20	DB100-248-20	DB150-315-20	DB200-375-20
32	Bearing housing	Cast iron	DB50-160-44	DB80-223-44	DB100-248-44	DB150-315-44	DB200-375-44
33	Bolt / filler cap		DB50-160-45	DB80-223-45	DB100-248-45	DB150-315-45	DB200-375-45



water, sewage and sludge technology

pumps for life ...

An ISO 9001:2008 certified company by 



INDRA HYDRO TECH PUMPS PVT. LTD.

316, 1st Floor, 8th Cross, 4th Phase
Peenya Industrial Area
Bengaluru - 560 058
Karnataka, India
Tel.: +91 80 2836 2916
Fax: +91 80 2836 3048
Email: contact@ihpindia.in



www.ihpindia.in